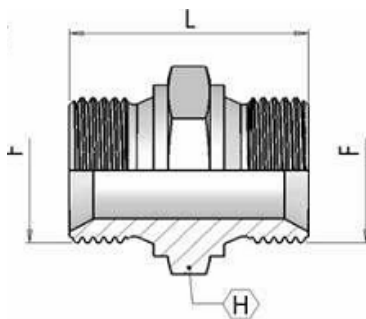
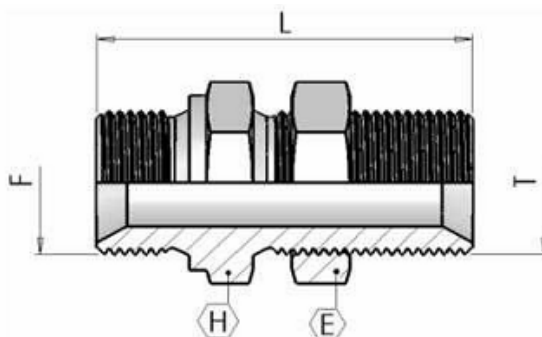


### KZ30.. Złączka prosta calowa BSP.



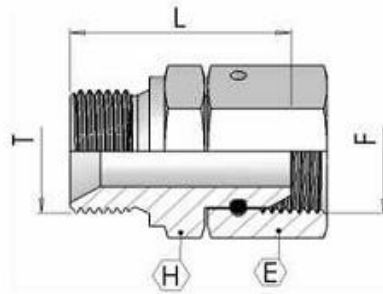
| Ciśnienie BAR | Kod    | Gwint F  |
|---------------|--------|----------|
| 350           | KZ3001 | 1/8-28   |
| 350           | KZ3002 | 1/4-19   |
| 350           | KZ3003 | 3/8-19   |
| 315           | KZ3004 | 1/2-14   |
| 315           | KZ3005 | 5/8-14   |
| 250           | KZ3006 | 3/4-14   |
| 200           | KZ3007 | 1-11     |
| 160           | KZ3008 | 1 1/4-11 |
| 125           | KZ3009 | 1 1/2-11 |
| 80            | KZ3010 | 2-11     |

### KZ31.. Złączka prosta grodziowa calowa BSP.



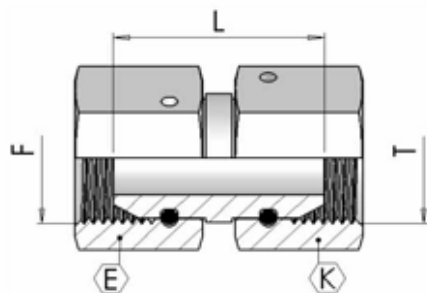
| Ciśnienie BAR | Kod    | Gwint    |
|---------------|--------|----------|
| 350           | KZ3101 | 1/4-19   |
| 350           | KZ3102 | 3/8-19   |
| 315           | KZ3103 | 1/2-14   |
| #             | KZ3104 | 5/8-14   |
| 250           | KZ3105 | 3/4-14   |
| 200           | KZ3106 | 1-11     |
| #             | KZ3107 | 1 1/4-11 |

## KZ32.. Złączka prosta calowa BSP z nakrętką.



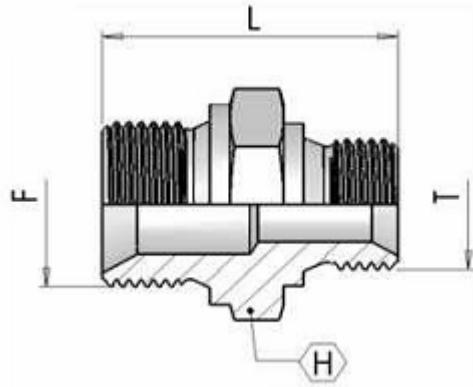
| <b>Ciśnienie BAR</b> | <b>Kod</b> | <b>Gwint F</b> | <b>Gwint T</b> |
|----------------------|------------|----------------|----------------|
| 350                  | KZ3201     | 1/4-19         | 1/4-19         |
| 350                  | KZ3202     | 1/4-19         | 3/8-19         |
| 350                  | KZ3203     | 3/8-19         | 1/4-19         |
| 350                  | KZ3204     | 3/8-19         | 3/8-19         |
| 315                  | KZ3205     | 3/8-19         | 1/2-14         |
| 315                  | KZ3206     | 3/8-19         | 3/4-19         |
| 315                  | KZ3207     | 1/2-14         | 3/8-19         |
| 315                  | KZ3208     | 1/2-14         | 1/2-14         |
| 315                  | KZ3209     | 1/2-14         | 5/8-14         |
| 315                  | KZ3210     | 1/2-14         | 3/4-14         |
| 315                  | KZ3211     | 5/8-14         | 5/8-14         |
| 250                  | KZ3212     | 3/4-14         | 1/2-14         |
| 250                  | KZ3213     | 3/4-14         | 3/4-14         |
| 200                  | KZ3214     | 3/4-14         | 1-11           |
| 200                  | KZ3215     | 1-11           | 3/4-19         |
| 200                  | KZ3216     | 1-11           | 1-11           |
| 160                  | KZ3217     | 1 1/4-11       | 1 1/4-11       |
| 125                  | KZ3218     | 1 1/2-11       | 1 1/4-11       |
| 125                  | KZ3219     | 1 1/2-11       | 1 1/2-11       |
| 80                   | KZ3220     | 2-11           | 2-11           |

**KZ33.. Złączka prosta calowa BSP z 2 nakrętkami.**



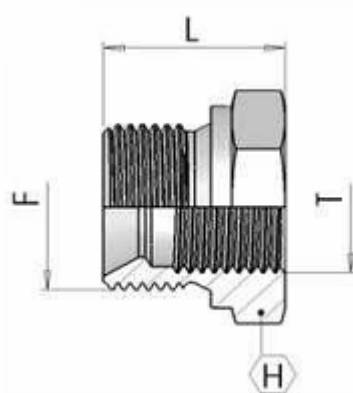
| <b>Ciśnienie BAR</b> | <b>Kod</b> | <b>Gwint</b> |
|----------------------|------------|--------------|
| 350                  | KZ3301     | 1/4-19       |
| 350                  | KZ3302     | 3/8-19       |
| 315                  | KZ3303     | 1/2-14       |
| 250                  | KZ3304     | 5/8-14       |
| 250                  | KZ3305     | 3/4-14       |
| 200                  | KZ3306     | 1-11         |
| 160                  | KZ3307     | 1 1/4-11     |
| 125                  | KZ3308     | 1 1/2-11     |
| 80                   | KZ3309     | 2-11         |

## KR30.. Złączka redukcyjna stalowa BSP.



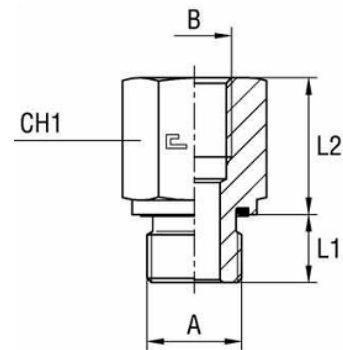
| Ciśnienie BAR | Kod    | Gwint F  | Gwint T  |
|---------------|--------|----------|----------|
| 350           | KR3001 | 1/4-19   | 1/8-28   |
| 350           | KR3002 | 3/8-19   | 1/8-28   |
| 350           | KR3003 | 3/8-19   | 1/4-19   |
| 315           | KR3004 | 1/2-14   | 1/4-19   |
| 315           | KR3005 | 1/2-14   | 3/8-19   |
| 315           | KR3006 | 5/8-14   | 1/2-14   |
| 250           | KR3007 | 3/4-14   | 1/4-19   |
| 250           | KR3008 | 3/4-14   | 3/8-19   |
| 250           | KR3009 | 3/4-14   | 1/2-14   |
| 250           | KR3010 | 3/4-14   | 5/8-14   |
| 200           | KR3011 | 1-11     | 3/8-19   |
| 200           | KR3012 | 1-11     | 1/2-14   |
| 200           | KR3013 | 1-11     | 3/4-14   |
| 160           | KR3014 | 1 1/4-11 | 3/4-14   |
| 160           | KR3015 | 1 1/4-11 | 1-11     |
| 125           | KR3016 | 1 1/2-11 | 3/4-14   |
| 125           | KR3017 | 1 1/2-11 | 1-11     |
| 125           | KR3018 | 1 1/2-11 | 1 1/4-11 |
| 125           | KR3019 | 2-11     | 1-11     |
| 80            | KR3020 | 2-11     | 1 1/4-11 |
| 80            | KR3021 | 2-11     | 1 1/2-11 |

**KR31.. Tuleja redukcyjna calowa BSP.**



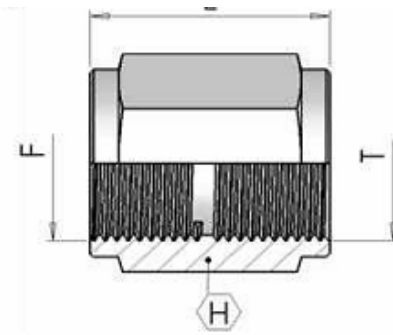
| <i>Ciśnienie BAR</i> | <i>Kod</i> | <i>Gwint F</i> | <i>Gwint T</i> |
|----------------------|------------|----------------|----------------|
| 350                  | KR3101     | 1/4-19         | 1/8-28         |
| 350                  | KR3102     | 3/8-14         | 1/8-28         |
| 350                  | KR3103     | 3/8-19         | 1/4-19         |
| 315                  | KR3104     | 1/2-14         | 1/4-19         |
| 315                  | KR3105     | 1/2-14         | 3/8-19         |
| 250                  | KR3106     | 3/4-14         | 1/4-19         |
| 250                  | KR3107     | 3/4-14         | 3/8-19         |
| 250                  | KR3108     | 3/4-14         | 1/2-14         |
| 200                  | KR3109     | 1-11           | 3/8-19         |
| 200                  | KR3110     | 1-11           | 1/2-14         |
| 200                  | KR3111     | 1-11           | 3/4-14         |
| 160                  | KR3112     | 1 1/4-11       | 3/4-14         |
| 160                  | KR3113     | 1 1/4-11       | 1-11           |
| 125                  | KR3114     | 1 1/2-11       | 1-11           |
| 125                  | KR3115     | 1 1/2-11       | 1 1/4-11       |
| 80                   | KR3116     | 2-11           | 1 1/4-11       |
| 80                   | KR3117     | 2-11           | 1 1/2-11       |

## KR32.. Tuleja redukcyjna stalowa BSP z uszczelką.



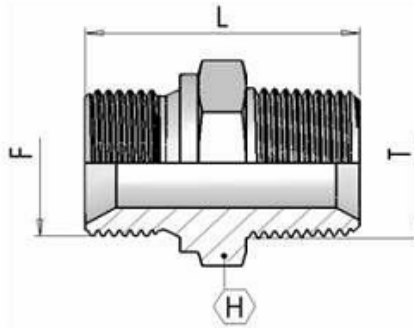
| Seria | Ciśnienie BAR | Kod    | Gwint A | Gwint B |
|-------|---------------|--------|---------|---------|
| L/S   | 630           | KR3201 | 1/8     | 1/4     |
| L/S   | 630           | KR3202 | 1/8     | 3/8     |
| L/S   | 630           | KR3203 | 1/4     | 1/8     |
| L/S   | 630           | KR3204 | 1/4     | 3/8     |
| L/S   | 630           | KR3205 | 1/4     | 1/2     |
| L/S   | 630           | KR3206 | 1/4     | 3/8     |
| L/S   | 630           | KR3207 | 3/8     | 1/4     |
| L/S   | 630           | KR3208 | 3/8     | 1/2     |
| L/S   | 400           | KR3209 | 3/8     | 3/4     |
| L/S   | 630           | KR3210 | 1/2     | 3/8     |
| L/S   | 400           | KR3211 | 1/2     | 3/4     |
| L/S   | 400           | KR3212 | 1/2     | 1       |
| L/S   | 400           | KR3213 | 1/2     | 1 1/4   |
| L/S   | 400           | KR3214 | 3/4     | 1/2     |
| L/S   | 400           | KR3215 | 3/4     | 1       |
| L/S   | 400           | KR3216 | 3/4     | 1 1/4   |
| L/S   | 315           | KR3217 | 3/4     | 1 1/2   |
| L/S   | 400           | KR3218 | 1       | 3/4     |
| L/S   | 400           | KR3219 | 1       | 1 1/4   |
| L/S   | 315           | KR3220 | 1       | 1 1/2   |
| L/S   | 400           | KR3221 | 1 1/4   | 1       |
| L/S   | 315           | KR3222 | 1 1/4   | 1 1/2   |
| L/S   | 315           | KR3223 | 1 1/2   | 1 1/4   |

**KZ34.. Tuleja z gwintem wewnętrznym calowym BSP.**



| <b>Ciśnienie BAR</b> | <b>Kod</b> | <b>Gwint F</b> | <b>GWINT T</b> |
|----------------------|------------|----------------|----------------|
| 350                  | KZ3401     | 1/8-28         | 1/8-28         |
| 350                  | KZ3402     | 1/8-28         | 3/8-19         |
| 350                  | KZ3403     | 1/4-19         | 1/4-19         |
| 350                  | KZ3404     | 1/4-19         | 3/8-19         |
| 350                  | KZ3405     | 3/8-19         | 3/8-19         |
| 315                  | KZ3406     | 1/2-14         | 1/2-14         |
| 250                  | KZ3407     | 3/4-14         | 3/4-14         |
| 200                  | KZ3408     | 1-11           | 1-11           |
| 160                  | KZ3409     | 1 1/4-11       | 1 1/4-11       |
| 125                  | KZ3410     | 1 1/2-11       | 1 1/2-11       |
| 80                   | KZ3411     | 2-11           | 2-11           |

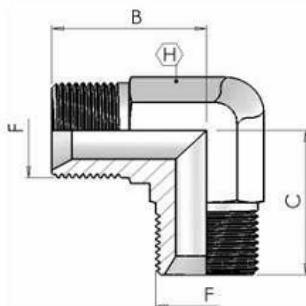
## KP30.. Przyłączka prosta BSP – BSPT.



| <i>Ciśnienie BAR</i> | <i>Kod</i> | <i>Gwint F</i> | <i>Gwint T</i> |
|----------------------|------------|----------------|----------------|
| 350                  | KP3001     | 1/8-28         | 1/8-28         |
| 350                  | KP3002     | 1/4-19         | 1/4-19         |
| 350                  | KP3003     | 3/8-19         | 3/8-19         |
| 315                  | KP3004     | 1/2-14         | 1/2-14         |
| 315                  | KP3005     | 1/2-14         | 3/4-14         |
| 250                  | KP3006     | 3/4-14         | 3/4-14         |
| 250                  | KP3007     | 3/4-14         | 1 1/4-11       |
| 200                  | KP3008     | 1-11           | 1-11           |
| 160                  | KP3009     | 1 1/4-11       | 1 1/4-11       |
| 125                  | KP3010     | 1 1/2-11       | 1 1/2-11       |
| 80                   | KP3011     | 2-11           | 2-11           |

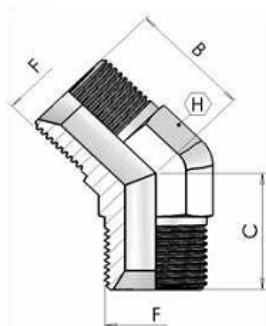


### KK30.. Złączka kolankowa stalowa BSP 90°



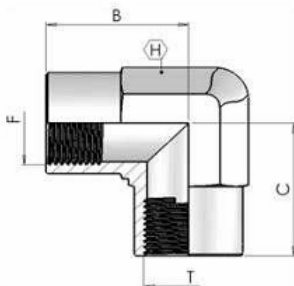
| Ciśnienie BAR | Kod    | Gwint F  |
|---------------|--------|----------|
| 350           | KK3001 | 1/4-19   |
| 350           | KK3002 | 3/8-19   |
| 315           | KK3003 | 1/2-14   |
| 250           | KK3004 | 3/4-14   |
| 200           | KK3005 | 1-11     |
| 160           | KK3006 | 1 1/4-11 |
| 125           | KK3007 | 1 1/2-11 |

### KK31.. Złączka kolankowa stalowa BSP 45°



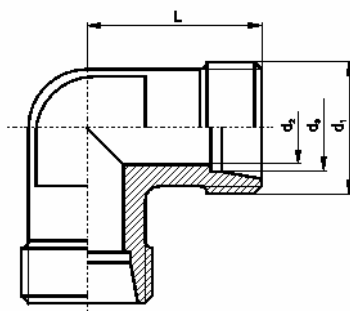
| Ciśnienie BAR | Kod    | Gwint F  |
|---------------|--------|----------|
| 350           | KK3101 | 1/4-19   |
| 350           | KK3102 | 3/8-19   |
| 315           | KK3103 | 1/2-14   |
| 250           | KK3104 | 3/4-14   |
| 200           | KK3105 | 1-11     |
| 160           | KK3106 | 1 1/4-11 |
| 125           | KK3107 | 1 1/2-11 |

**KK32.. Złączka kolankowa calowa BSP 90° z gwintami wewnętrznymi.**



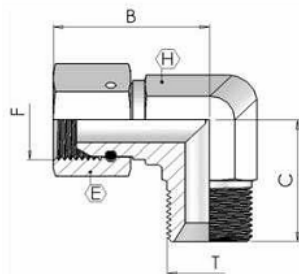
| Ciśnienie BAR | Kod    | Gwint    |
|---------------|--------|----------|
| 350           | KK3201 | 1/4-19   |
| 350           | KK3202 | 3/8-19   |
| 315           | KK3203 | 1/2-14   |
| 250           | KK3204 | 3/4-14   |
| 200           | KK3205 | 1-11     |
| #             | KK3206 | 1 1/4-11 |
| #             | KK3207 | 1 1/2-11 |

**KK33.. Korpus złączki kolankowej z gwintem calowym.**



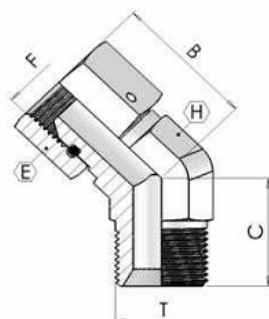
| Odmiana | Ciśnienie BAR | Kod    | Gwint A | Gwint B |
|---------|---------------|--------|---------|---------|
| L       | 160           | KK3301 | 6-1/4   | 12-1/2  |
| L       | 160           | KK3302 | 8-3/8   | 12-1/2  |
| L       | 250           | KK3303 | 4-1/8   | 6-1/4   |
| L       | 250           | KK3304 | 4-1/8   | 8-3/8   |
| L       | 250           | KK3305 | 6-1/4   | 8-3/8   |
| L       | 160           | KK3306 | 12-1/2  | 15-3/4  |
| L       | 100           | KK3307 | 12-1/2  | 22-1    |
| L       | 100           | KK3308 | 15-3/4  | 22-1    |

**KK34.. Złączka kolankowa stalowa BSP 90° z nakrętką.**



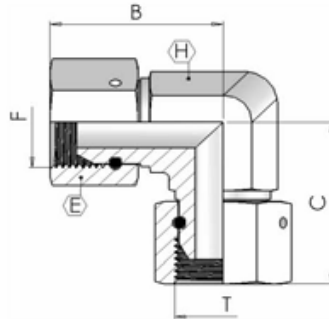
| Ciśnienie BAR | Kod    | Gwint    |
|---------------|--------|----------|
| 350           | KK3401 | 1/4-19   |
| 350           | KK3402 | 3/8-19   |
| 315           | KK3403 | 1/2-14   |
| 250           | KK3404 | 3/4-14   |
| 200           | KK3405 | 1-11     |
| 160           | KK3406 | 1 1/4-11 |
| 125           | KK3407 | 1 1/2-11 |

**KK35.. Złączka kolankowa stalowa 45° z nakrętką.**



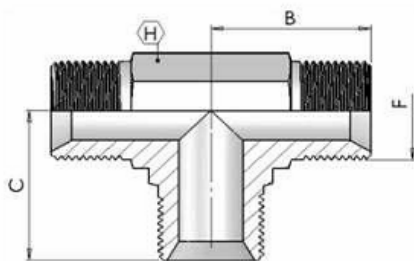
| Ciśnienie BAR | Kod    | Gwint    |
|---------------|--------|----------|
| 350           | KK3501 | 1/4-19   |
| 350           | KK3502 | 3/8-19   |
| 315           | KK3503 | 1/2-14   |
| 250           | KK3504 | 3/4-14   |
| 200           | KK3505 | 1-11     |
| 160           | KK3506 | 1 1/4-11 |
| 125           | KK3507 | 1 1/2-11 |

**KK36.. Złączka kolankowa calowa BSP z 2 nakrętkami.**



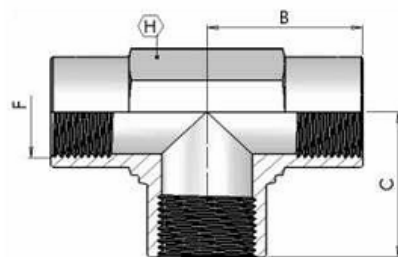
| <b>Ciśnienie BAR</b> | <b>Kod</b> | <b>Gwint</b> |
|----------------------|------------|--------------|
| 350                  | KK3601     | 1/4-19       |
| 350                  | KK3602     | 3/8-19       |
| 315                  | KK3603     | 1/2-14       |
| 250                  | KK3604     | 5/8-14       |
| 200                  | KK3605     | 3/4-14       |
| 160                  | KK3606     | 1-11         |
| 125                  | KK3607     | 1 1/4-11     |

**KT31.. Złączka trójnikowa calowa BSP.**

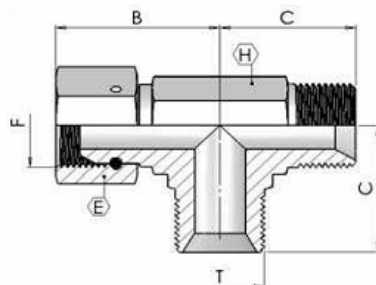


| Ciśnienie BAR | Kod    | Gwint F  |
|---------------|--------|----------|
| 350           | KT3101 | 1/4-19   |
| 350           | KT3102 | 3/8-19   |
| 315           | KT3103 | 1/2-14   |
| 250           | KT3104 | 3/4-14   |
| 200           | KT3105 | 1-11     |
| 160           | KT3106 | 1 1/4-11 |
| 125           | KT3107 | 1 1/2-11 |

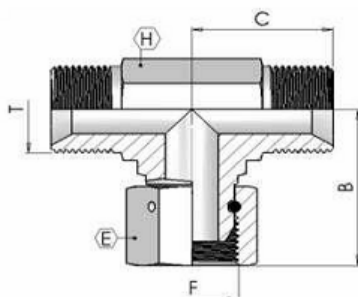
**KT30.. Złączka trójnikowa calowa BSP z gwintami wewnętrznymi.**



| Ciśnienie BAR | Kod    | Gwint  |
|---------------|--------|--------|
| 350           | KT3001 | 1/4-19 |
| 350           | KT3002 | 3/8-19 |
| 315           | KT3003 | 1/2-14 |
| 250           | KT3004 | 3/4-14 |
| 200           | KT3005 | 1-11   |

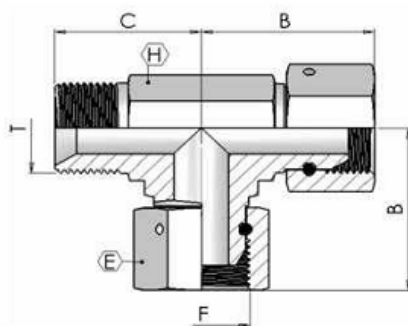
**KT32.. Złączka trójnikowa calowa BSP z 1 nakrętką (niesymetryczna).**


| Ciśnienie BAR | Kod    | Gwint F  | Gwint T  |
|---------------|--------|----------|----------|
| 350           | KT3201 | 1/4-19   | 1/4-19   |
| 350           | KT3202 | 3/8-19   | 3/8-19   |
| 315           | KT3203 | 1/2-14   | 1/2-14   |
| 250           | KT3204 | 3/4-14   | 3/4-14   |
| 200           | KT3205 | 1-11     | 1-11     |
| 160           | KT3206 | 1 1/4-11 | 1 1/4-11 |
| 125           | KT3207 | 1 1/2-11 | 1 1/2-11 |

**KT33.. Złączka trójnikowa calowa BSP z 1 nakrętką (symetryczna).**


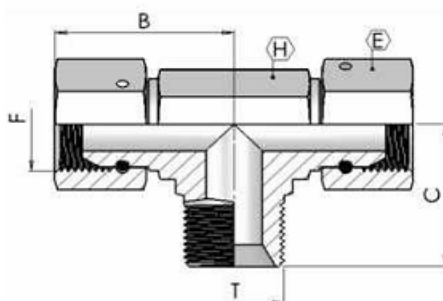
| Ciśnienie BAR | Kod    | Gwint F  | Gwint T  |
|---------------|--------|----------|----------|
| 350           | KT3301 | 1/4-19   | 1/4-19   |
| 350           | KT3302 | 3/8-19   | 3/8-19   |
| 315           | KT3303 | 1/2-14   | 1/2-14   |
| 250           | KT3304 | 3/4-14   | 3/4-14   |
| 200           | KT3305 | 1-11     | 1-11     |
| 160           | KT3306 | 1 1/4-11 | 1 1/4-11 |
| 125           | KT3307 | 1 1/2-11 | 1 1/2-11 |

**KT34.. Złączka trójnikowa calowa BSP z 2 nakrętkami.  
Niesymetryczna.**



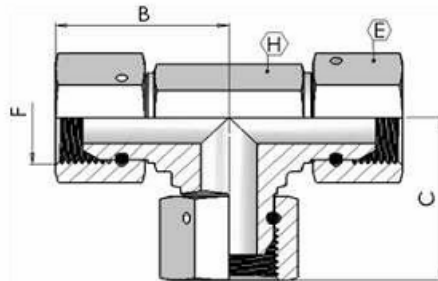
| Ciśnienie BAR | Kod    | Gwint F | Gwint T |
|---------------|--------|---------|---------|
| 350           | KT3401 | 1/4-19  | 1/4-19  |
| 350           | KT3402 | 3/8-19  | 3/8-19  |
| 315           | KT3403 | 1/2-14  | 1/2-14  |
| 250           | KT3404 | 3/4-14  | 3/4-14  |
| 200           | KT3405 | 1-11    | 1-11    |

**KT35.. Złączka trójnikowa calowa BSP z 2 nakrętkami. Symetryczna.**



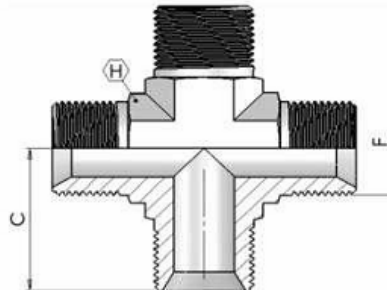
| Ciśnienie BAR | Kod    | Gwint F | Gwint T |
|---------------|--------|---------|---------|
| 350           | KT3501 | 1/4-19  | 1/4-19  |
| 350           | KT3502 | 3/8-19  | 3/8-19  |
| 315           | KT3503 | 1/2-14  | 1/2-14  |
| 250           | KT3504 | 3/4-14  | 3/4-14  |
| 200           | KT3505 | 1-11    | 1-11    |

### KT36.. Złączka trójnikowa calowa BSP z 3 nakrętkami.



| Ciśnienie BAR | Kod    | Gwint F  |
|---------------|--------|----------|
| 350           | KT3601 | 1/4-19   |
| 350           | KT3602 | 3/8-19   |
| 315           | KT3603 | 1/2-14   |
| 250           | KT3604 | 3/4-14   |
| 200           | KT3605 | 1-11     |
| 160           | KT3606 | 1 1/4-11 |
| 125           | KT3607 | 1 1/2-11 |

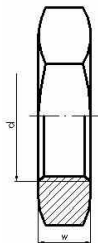
### KC30.. Złączka czwórnikowa calowa BSP.



| Ciśnienie BAR | Kod    | Gwint F |
|---------------|--------|---------|
| 350           | KC3001 | 1/4-19  |
| 350           | KC3002 | 3/8-19  |
| 315           | KC3003 | 1/2-14  |
| 250           | KC3004 | 3/4-14  |
| 200           | KC3005 | 1-11    |

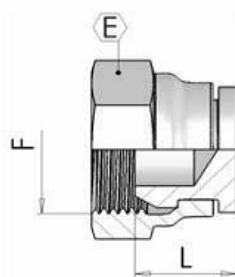


### KN30.. Przeciwnakrętka calowa.



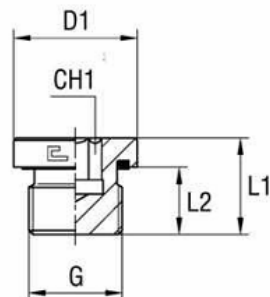
| <i>Kod</i> | <i>D</i> |
|------------|----------|
| KN3001     | 1/8      |
| KN3002     | 1/4      |
| KN3003     | 3/8      |
| KN3004     | 1/2      |
| KN3005     | 3/4      |
| KN3006     | 1        |
| KN3007     | 1 1/4    |
| KN3008     | 1 1/2    |

### KW30.. Korek zamykający z gwintem wewnętrznym calowym BSP.



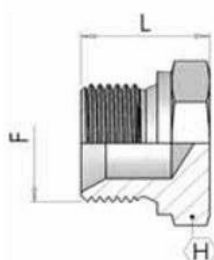
| <i>Ciśnienie BAR</i> | <i>Kod</i> | <i>Gwint F</i> |
|----------------------|------------|----------------|
| 350                  | KW3001     | 1/8-28         |
| 350                  | KW3002     | 1/4-19         |
| 350                  | KW3003     | 3/8-19         |
| 315                  | KW3004     | 1/2-14         |
| 315                  | KW3005     | 5/8-14         |
| 250                  | KW3006     | 3/4-14         |
| 200                  | KW3007     | 1-11           |
| 160                  | KW3008     | 1 1/4-11       |
| 125                  | KW3009     | 1 1/2-11       |
| 80                   | KW3010     | 2-11           |

**KW31.. Korek zamykający calowy. Klucz imbusowy.**



| <i>Seria</i> | <i>Ciśnienie BAR</i> | <i>Kod</i> | <i>G gwint przyłączeniowy</i> |
|--------------|----------------------|------------|-------------------------------|
| S            | 400                  | KW3101     | 1/8                           |
| S            | 400                  | KW3102     | 1/4                           |
| S            | 400                  | KW3103     | 3/8                           |
| S            | 400                  | KW3104     | 1/2                           |
| S            | 400                  | KW3105     | 3/4                           |
| S            | 400                  | KW3106     | 1                             |
| S            | 250                  | KW3107     | 1 1/4                         |
| S            | 250                  | KW3108     | 1 1/2                         |

**KW32.. Korek zamykający calowy BSP. Klucz płaski.**



| <i>Ciśnienie BAR</i> | <i>Kod</i> | <i>Gwint</i> |
|----------------------|------------|--------------|
| 350                  | KW3201     | 1/8          |
| 350                  | KW3202     | 1/4          |
| 350                  | KW3203     | 3/8          |
| 315                  | KW3204     | 1/2          |
| 315                  | KW3205     | 5/8          |
| 250                  | KW3206     | 3/4          |
| 200                  | KW3207     | 1            |
| 160                  | KW3208     | 1 1/4        |
| 125                  | KW3209     | 1 1/2        |
| 80                   | KW3210     | 2            |